

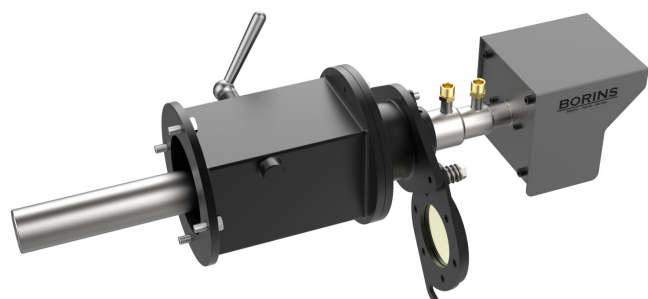
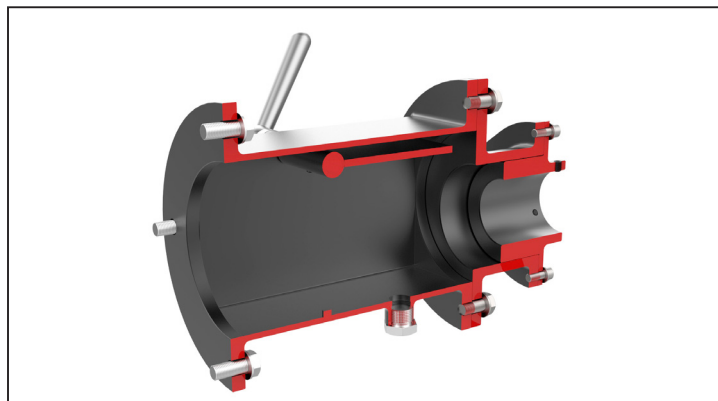
Sight glass and camera holder for Furnace Camera EK-60

PRODUCT DESCRIPTION

For the Furnace Camera EK-60 there is a combined Sight glass and camera holder. It is used to get a visual overview of flame sources in various combustion plants such as oil, waste and chip boilers, which do not have a Sight glass. The Sight glass is mounted over an existing, or newly occupied, opening.

For the Sight glass, there is also a Valve housing that is mounted between the glass and the furnace attachment. In the Valve housing there is a hatch that is manually folded into the house to prevent soot from form on the inside of the Sight glass and reduce heat radiation.

The Valve housing can be connected to an air pressure system, which allows the interior to be blown clean. The house can be equipped with the combined Sight glass with an adapter for a Furnace Camera EK-60 or just with a simple sight glass.



Furnace Camera EK-60 with Sight glass and housing

BORINS

Borins AB
Forsavägen 20
SE-82530 Iggesund
Sweden

Phone
+46 (0)650 30181
E-mail
info@borinsab.com

Internet
www.borinsab.com
www.facebook.com/borinsab