

Furnace Camera EK-60

PRODUCT DESCRIPTION

Furnace Camera EK-60 is used to get a visual moving camera image of flame beds in different types of boilers, so that you get an improved overview of the current combustion process.

The fact that an operator can monitor the flame in real time and remotely provides valuable information so that the combustion can take place in the most efficient way.

Furnace Camera EK-60 has a video camera which is mounted at the end of a stainless steel lance which is placed inside the combustion chamber. The lance is mounted via a connection flange in an existing observation opening or in a newly occupied opening.

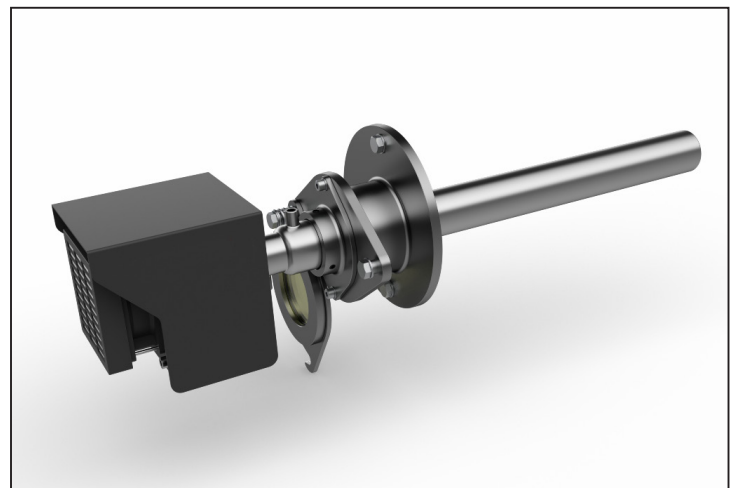
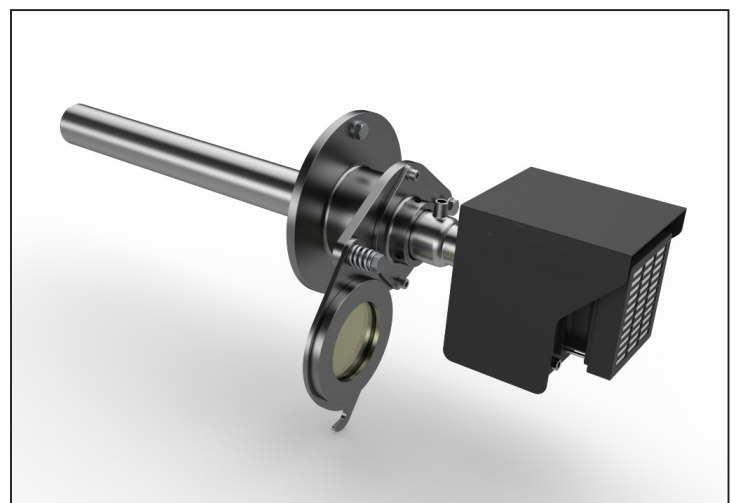
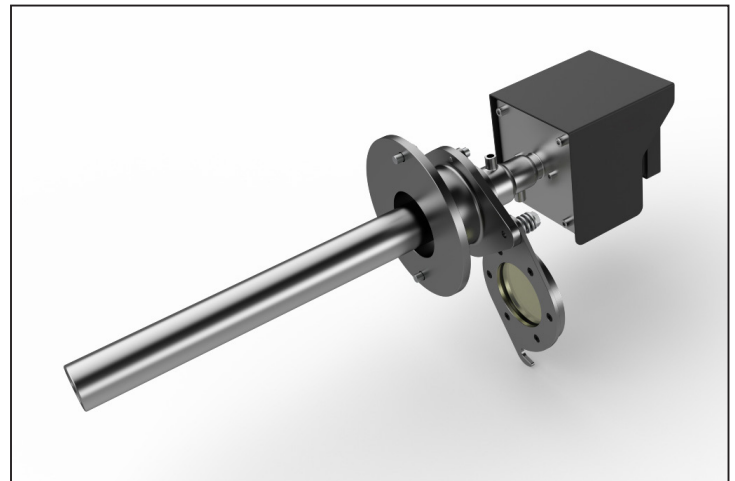
The lance is mounted in a housing with electronics and connections. When removing the lance, a sight glass can be folded forward.

To cope with the heat in the bed, a cooling system is used which uses water to lower the temperature inside the lance. To prevent dust and soot from ending up on the protective glass of the front lens, there is also a compressed air or fan system.

The camera is an analog color camera with an 89 degree angle of view and a 3.6 mm lens. The connection has a standard BNC connector. As an option, there is also a digital video recorder with media streaming over a local network or the Internet.

OPTIONS

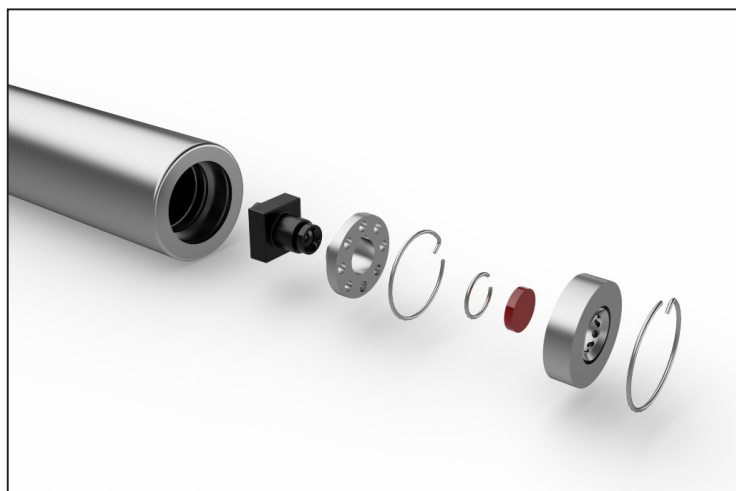
- Internal cooling water system with stainless tank, radiator and pump.
- 24" monitor.
- Stand-alone DVR with built-in video server.
- IR-filter.



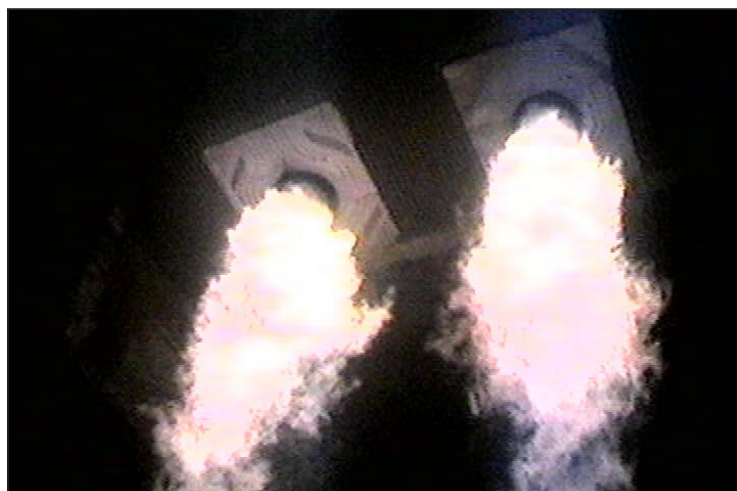
Technical specification



Furnace Camera EK-60



Lenses and front camera



Oil burner, image from camera

Technical data

Weight	ca. 15 kg
Dimensions	
- housing	200x185x170 mm
- lance, length	based on needs
- lance, diameter	60,3 mm
Camera	
- type	analog
- connection	BNC

Water cooling system	
- capacity	approx 8 l/min
- connection, in	1/4"
- connection, out	1/4"
Transformer	
- voltage in/out	230V/12V
- current	1,25 A
- power	15 W

PROD2 EK-60 2023-01

Borins AB
Forsavägen 20
SE-82530 Iggesund
Sweden

Telefon
+46 (0)650 30181
E-mail
info@borinsab.com

Internet
www.borinsab.com
www.facebook.com/borinsab