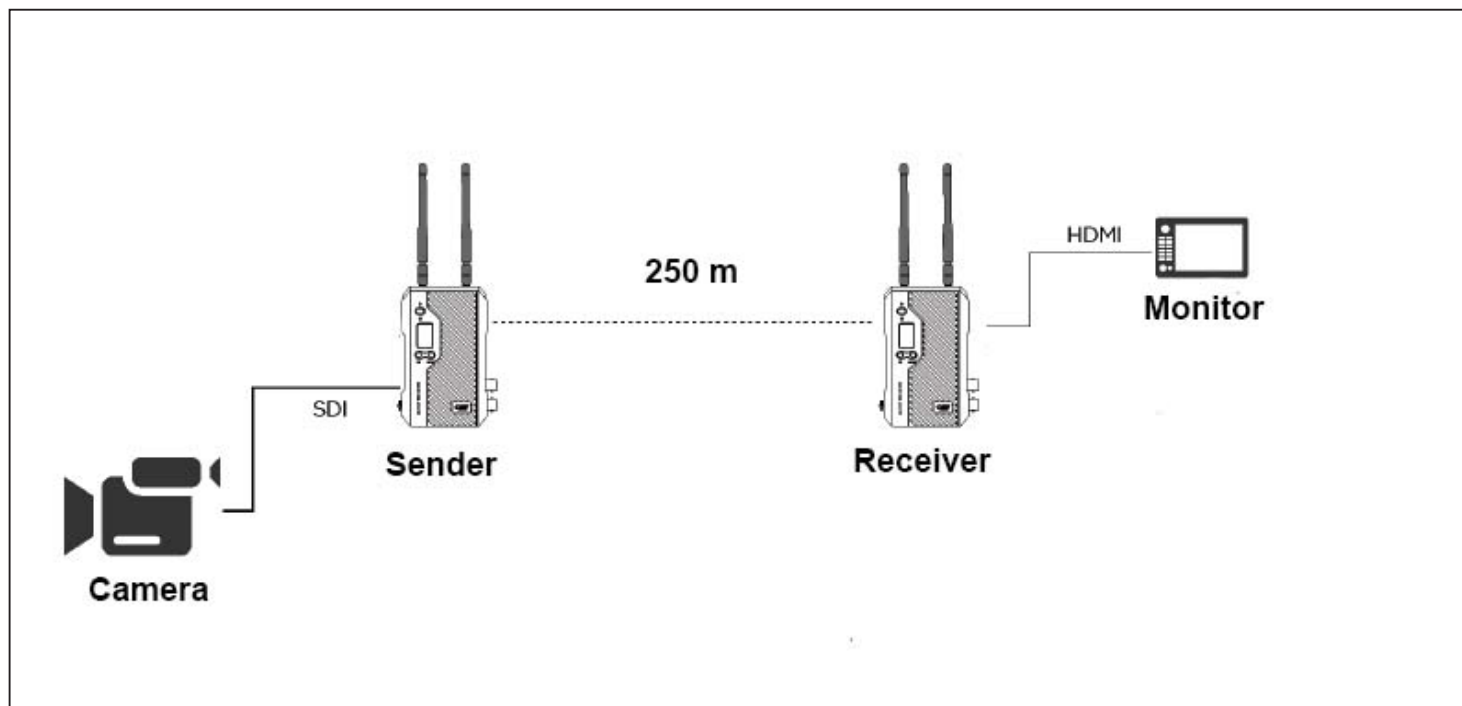
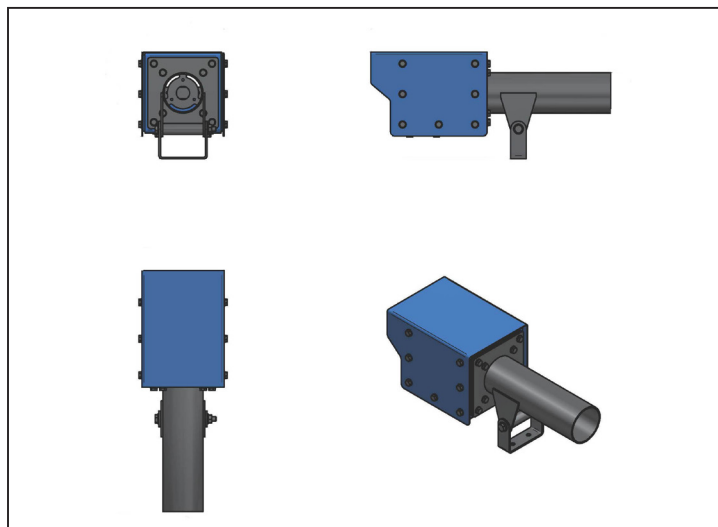


Monitoring Camera MK (Demo)

PRODUCT DESCRIPTION

Monitoring Camera MK is used to obtain a remote monitoring of industrial processes. A moving camera image is transferred from a video camera to a monitor. The range is 250 m when the sight have a open field. The camera housing is equipped with a fan to continuously prevent dirt and debris from ending up in front of the camera lens.

The equipment has been specially developed for monitoring a paper recycling mill. The camera sits above the inlet of the mill and the monitor in the cab of a wheeled tractor. In this way, an operator can monitor the process.



Principle sketch of Monitoring Camera MK

BORINS

Borins AB
Forsavägen 20
SE-825 30 Iggesund
Sweden

Phone
+46 0650 30181
E-mail
info@borinsab.com

Internet
www.borinsab.com
www.facebook.com/borinsab